

A

B

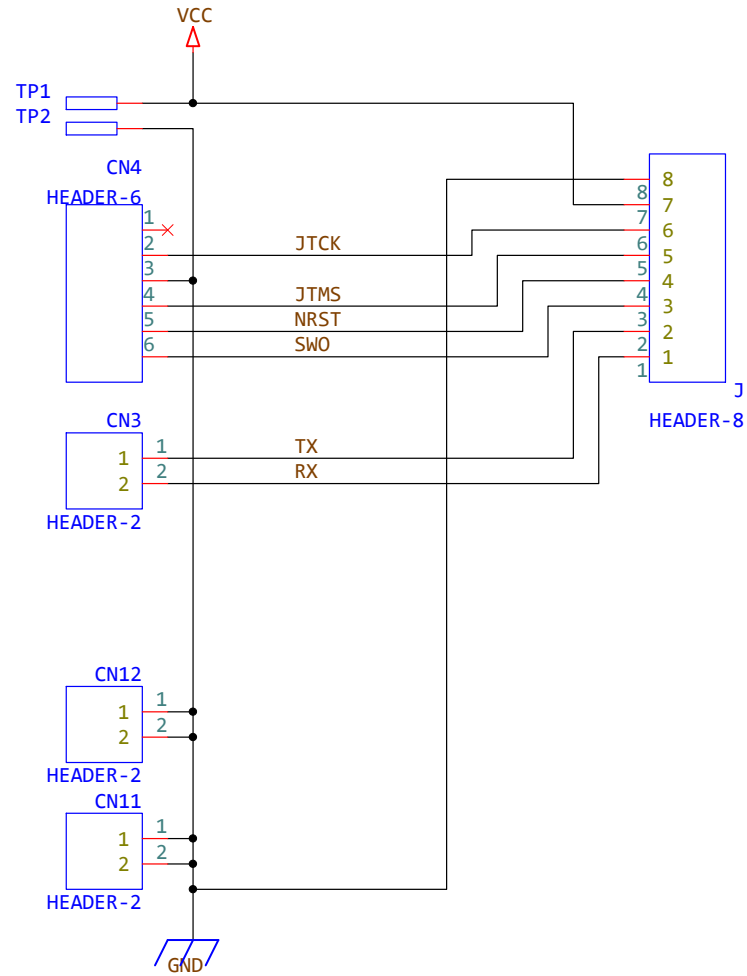
C

D

1

2

3



PROJECT:  
 DRAWING TITLE:  
 DRAWN BY:

REVISION

SHEET:  
 DATE:



©2014 imAkichi / cycle.eek.jp