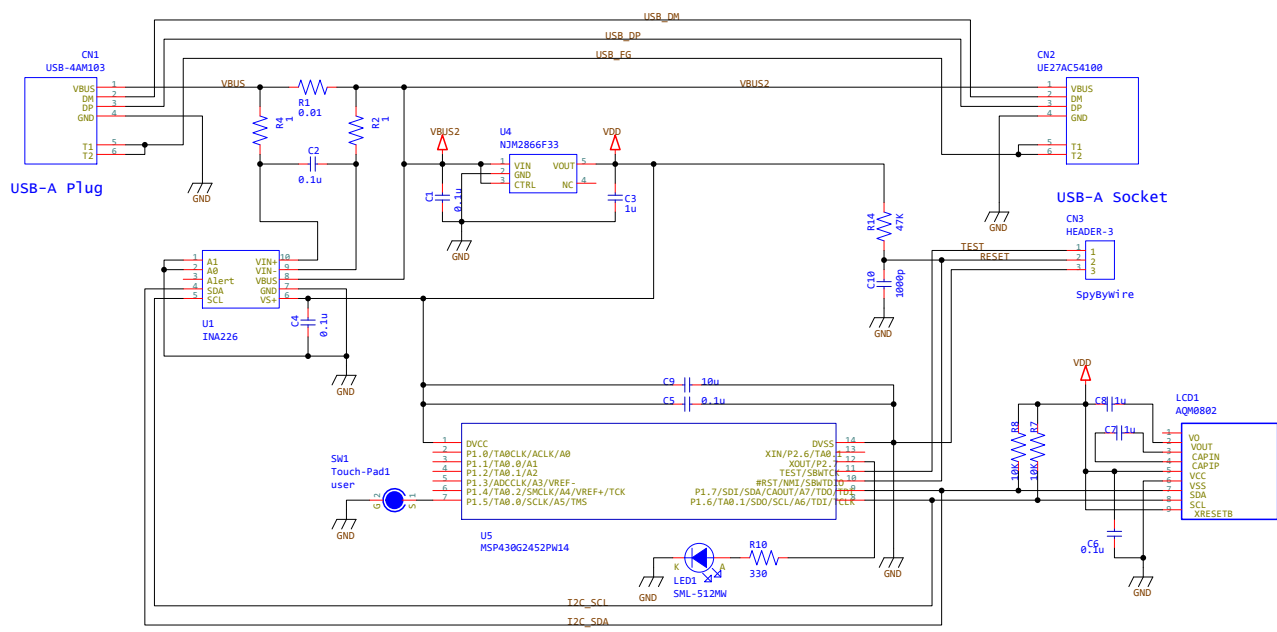


1

2

3

4



PROJECT:	REVISION
DRAWING TITLE: USB-Meter_INA226	
DRAWN BY:	
SHEET: 1 1 OF	
DATE: 2014/6/28	(c) 2014 @ King Kobo / dirthighway.net