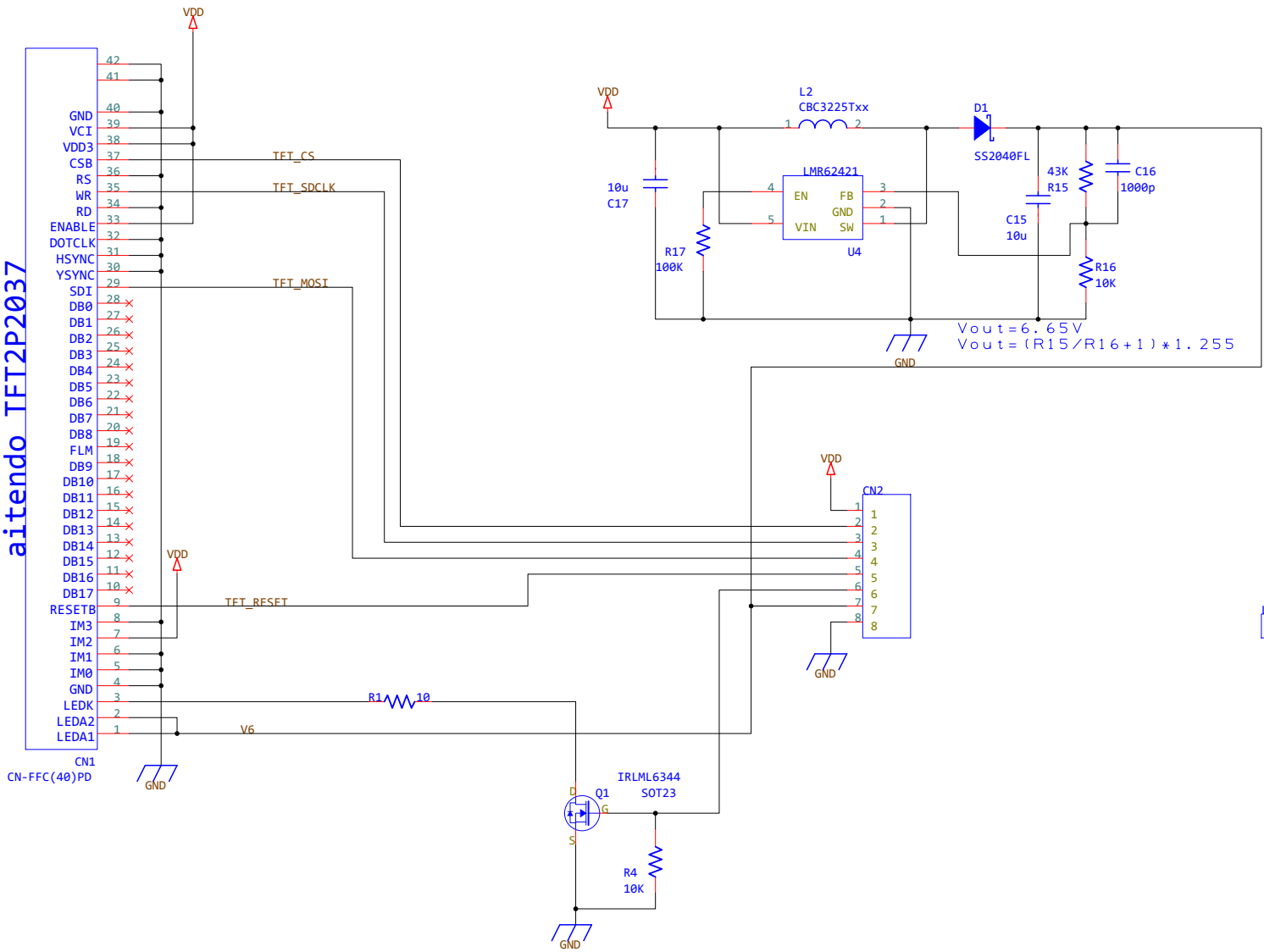


aitendo TFT2P0327



LOG01  
IMAKITI-LOG01

PROJECT:		REVISION
DRAWING TITLE:	<b>aitendo TFT2P0327 Board</b>	
DRAWN BY:		
SHEET:	<b>1 OF 1</b>	<b>B</b>
DATE:	<b>2015/9/27</b>	