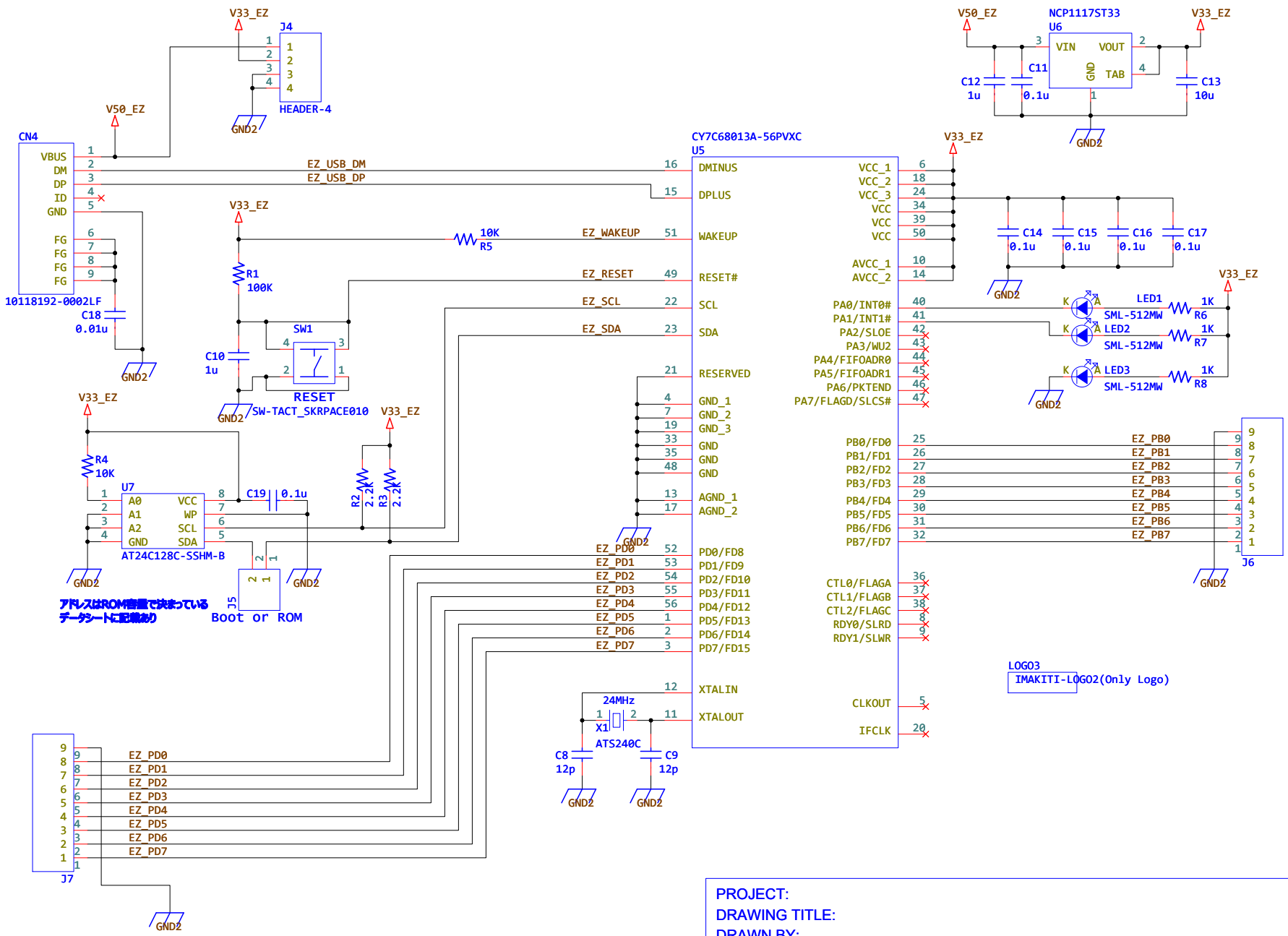


1

2

3

4



PROJECT:		REVISION
DRAWING TITLE:		
DRAWN BY:		
SHEET:	OF	 ©2014 imAkichi / cycle.eek.jp
DATE:		