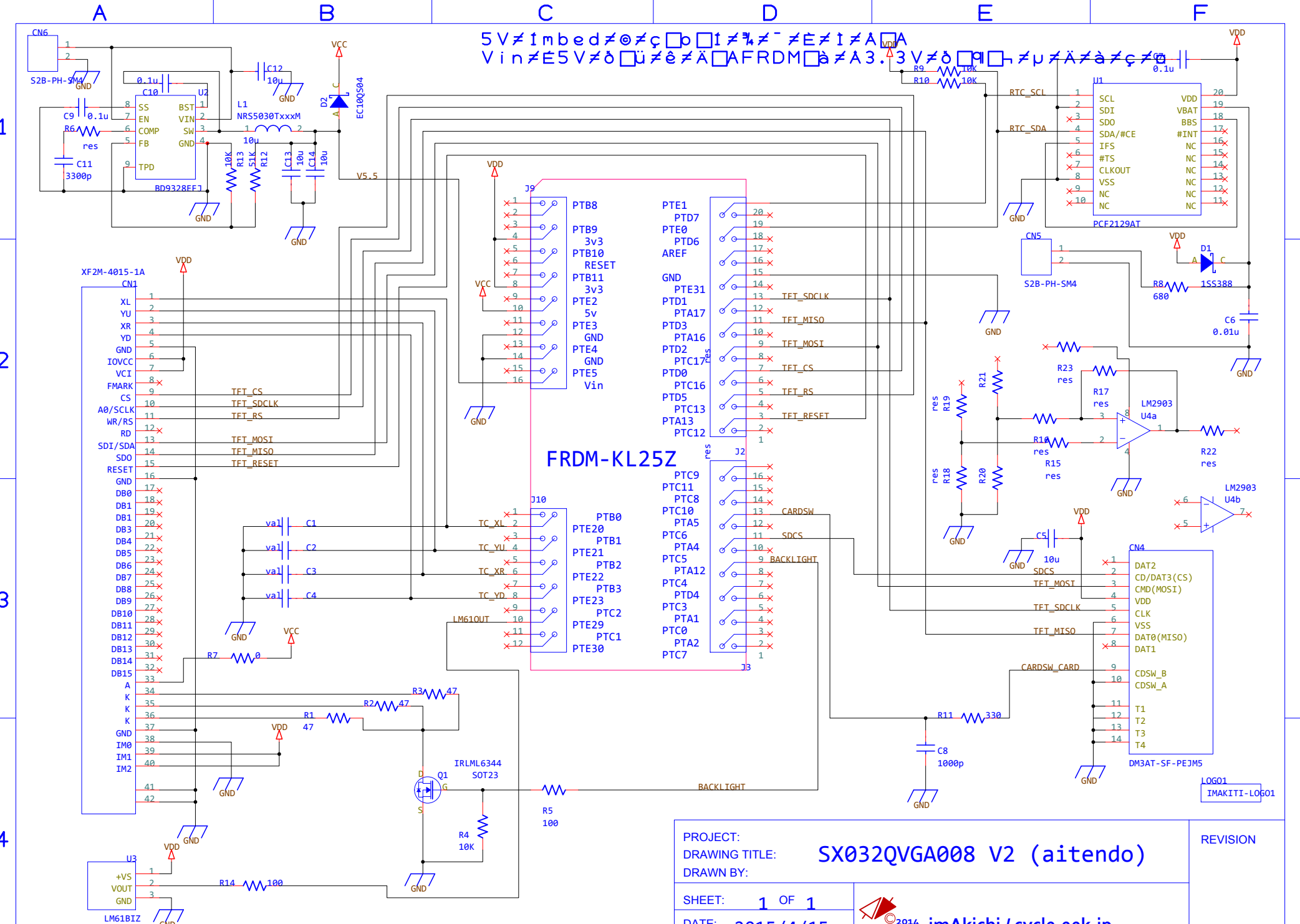


5V≠Imbed≠@≠ç□□I≠#≠~≠E≠i≠A□A
 Vin≠E5V≠δ□ü≠è≠Ä□AFRDM□à≠A3.3V≠δ□□h≠μ≠Ä≠à≠ç≠ø



PROJECT:	SX032QVGA008 V2 (aitendo)		REVISION
DRAWING TITLE:	SX032QVGA008 V2 (aitendo)		
DRAWN BY:			
SHEET:	1 OF 1		
DATE:	2015/4/15		

