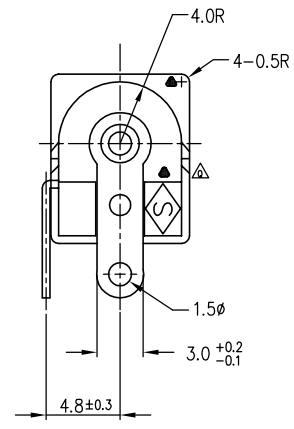
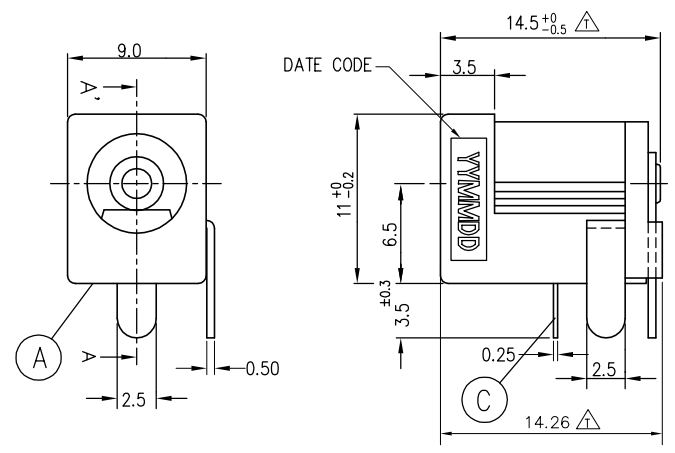
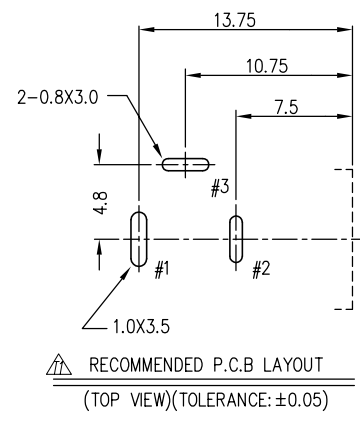
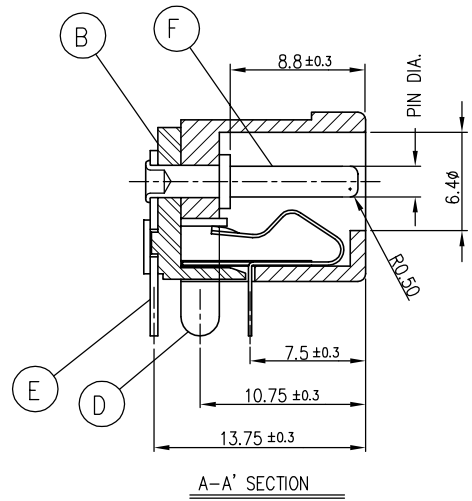


REV.	ECN NO OR DESCRIPTION	REVISED	DATE
S	ECN:C120225 UPDATE DRAWING	DAOWEN	2012.07.10
T	ECN:C120246 MODIFY 14.5 MAX TO 14.5 +0/-0.5&ADD DIMENSION 14.26	DAOWEN	2012.11.15
T1	ECR:C140206 UPDATE LAYOUT	CHEN	2014.08.14



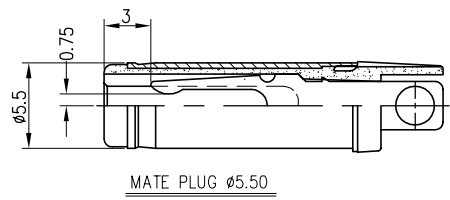
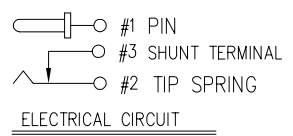
- SPECIFICATIONS:
- RATING: DC 20V 4A
 - INSERTION FORCE: 0.2KG-2.5KG
WITHDRAWAL FORCE: 0.2KG-3.0KG
 - INSULATION RESISTANCE BETWEEN ANY ADJACENT TERMINAL SHALL NOT BE LESS THAN 100 MEGOHMS BY 500 VOLTS MEGGER.
 - JACK SHALL WITHSTAND 250 VOLTS BETWEEN ANY ADJACENT TERMINAL FOR ONE MINUTE.
 - CONTACT RESISTANCE SHALL NOT EXCEED 0.03 OHMS.(INITIAL)
 - JACK SHALL WITHSTAND 5,000 CYCLES OF INSERTION AND WITHDRAWAL WITH TESTING PLUG,AND CONTACT RESISTANCE SHALL NOT EXCEED 0.1 OHMS.
 - MEASURING CONDITION:
TEMPERATURE: FROM 5°C TO 35°C.
RELATIVE HUMIDITY: FROM 40% TO 85%.
 - ENVIRONMENTAL SPECIFICATIONS:
8.1 HUMIDITY TEST: HUMIDITY 90% TO 95% TEMPERATURE 40°C ± 2°C FOR 96 HOURS.
8.2 HEAT TEST: TEMPERATURE 70°C ± 2°C (HUMIDITY BELOW 50%) FOR 96 HOURS.
8.3 COLD TEST: TEMPERATURE -40°C ± 2°C FOR 96 HOURS.
 - TO CONFORM TO SINGATRON HAZARDOUS SUBSTANCE FREE SPEC.
 - GREEN PRODUCT IDENTIFICATION MARK ON JACK:
 - GREEN PRODUCT IDENTIFICATION LABEL ON PACKAGING: **G.P. PASS**
 - FOR WAVE SOLDERING LEAD-FREE PROCESS.
 - PRINTED DATE CODE "YYMMDD" ON TOP OF CONNECTOR.

DD: DAY
MM: MONTH
YY: YEAR



2DC-0005X100

PART NO.	PIN DIA.
B	2.5φ ^{+0/-0.1}
D	2.0φ ^{+0/-0.1}
I	1.65φ ^{+0/-0.1}
G	1.45φ ^{+0/-0.1}



F	PIN	1	BRASS	Ni 60u"~180u",Cu 80u" MIN.
E	TERMINAL	1	COPPER ALLOY,0.5T	Ag 20u" MIN.,Ni 50u"~180u"
D	SHUNT TERMINAL	1	COPPER ALLOY,0.5T	Ag 20u" MIN.,Ni 50u"~180u"
C	TIP SPRING	1	COPPER ALLOY,0.25T	Ag 20u" MIN.,Ni 50u"~180u"
B	COVER	1	THERMAL PLASTIC,UL94V-0	COLOR BLACK
A	BODY	1	THERMAL PLASTIC,UL94V-0	COLOR BLACK
NO	DESCRIPTION	QTY	MATERIAL	PLATING & COLOR

UNLESS OTHERWISE SPECIFIED TOLERANCES

Singatron Enterprise Co., Ltd.
信音企業股份有限公司

DECIMALS: ANGLES:
X : ±0.5 X : ±2°
X.X : ±0.3 X.X : ±1°
X.XX : ±0.2

TITLE	DC POWER JACK		
DWN	CHEN 2014.08.14	PART NO. 2DC-0005X100	
CHKD	ZIZ 2014.08.14	SCALE 3:1	UNIT: mm
APVD	LIAO 2014.08.14	SIZE: A4	SHEET: 10F1
REV: T1			

CUSTOMER COPY